

1" POLARIZED HVAC FILTRATION SYSTEM

Conventional HVAC filters only capture the largest particles. Unfortunately, it's the fine particulates that are the greater threat. There are costly filter systems on the market which capture fine particles but they require expensive retrofitting and tend to restrict air-flow, which increases static pressure resulting in reduced HVAC efficiency and energy loss. PLP offers high-efficiency polarized filtration with low static pressure which provides continuous (multiple pass) high-efficiency filtration.

FEATURES

97% effective capturing particles down to .3 microns (.00001 inch) in multiple pass scenario

UV-reactive filter media with anti-microbial nanotechnology

Fits standard 1" filter slot

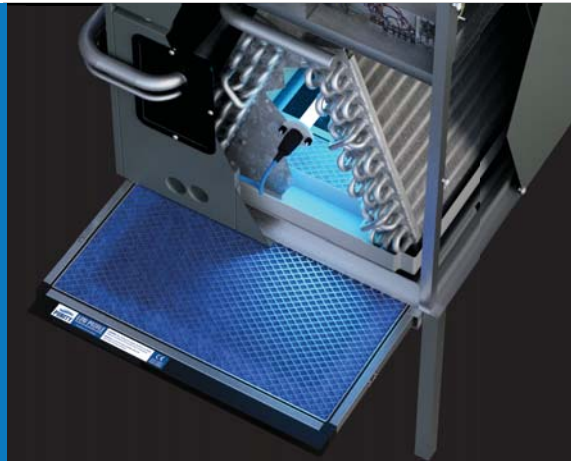
Lifetime system warranty

BENEFITS

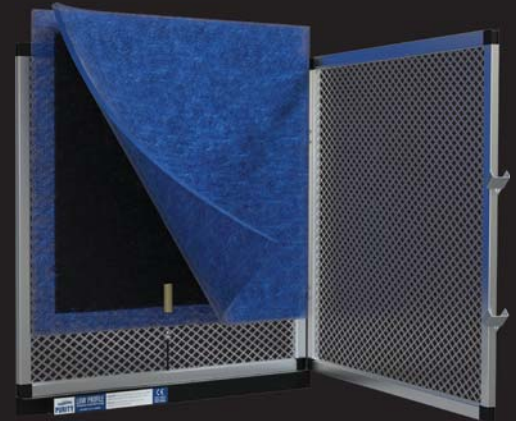
Low-cost media replacement (*3-6 months on average)

Captures particulates, allergens, pet dander, dust mites, spores, etc.

Helps to reduce odors and VOCs

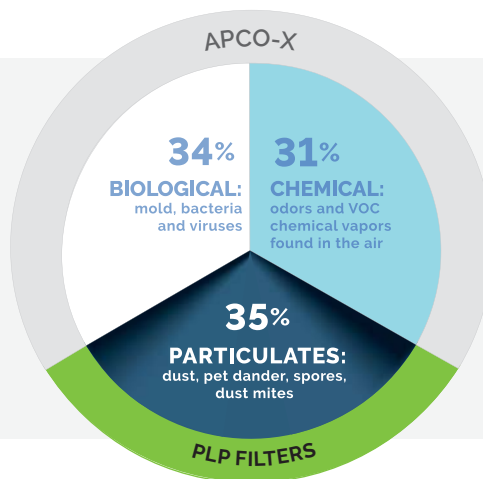


PLP filter media is safe for use with germicidal UV lights. Most HVAC filters are not.



PLP CAPTURES 35%

35% of airborne contaminants are particulates (the other 65% are microorganisms, odors and VOCs). PLP works in conjunction with other IAQ products such as APCO-X to improve Indoor Air Quality



PLP CAPTURES



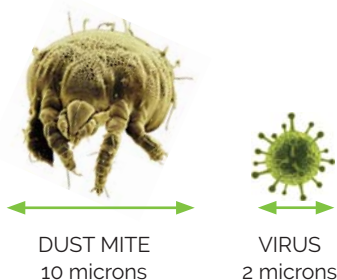
COARSE PARTICLES (<10 microns)

- Bacteria
- Dust & dirt
- Dust mites & debris
- Mold spores
- Pet dander
- Pollen



FINE PARTICLES (<2.5 microns)

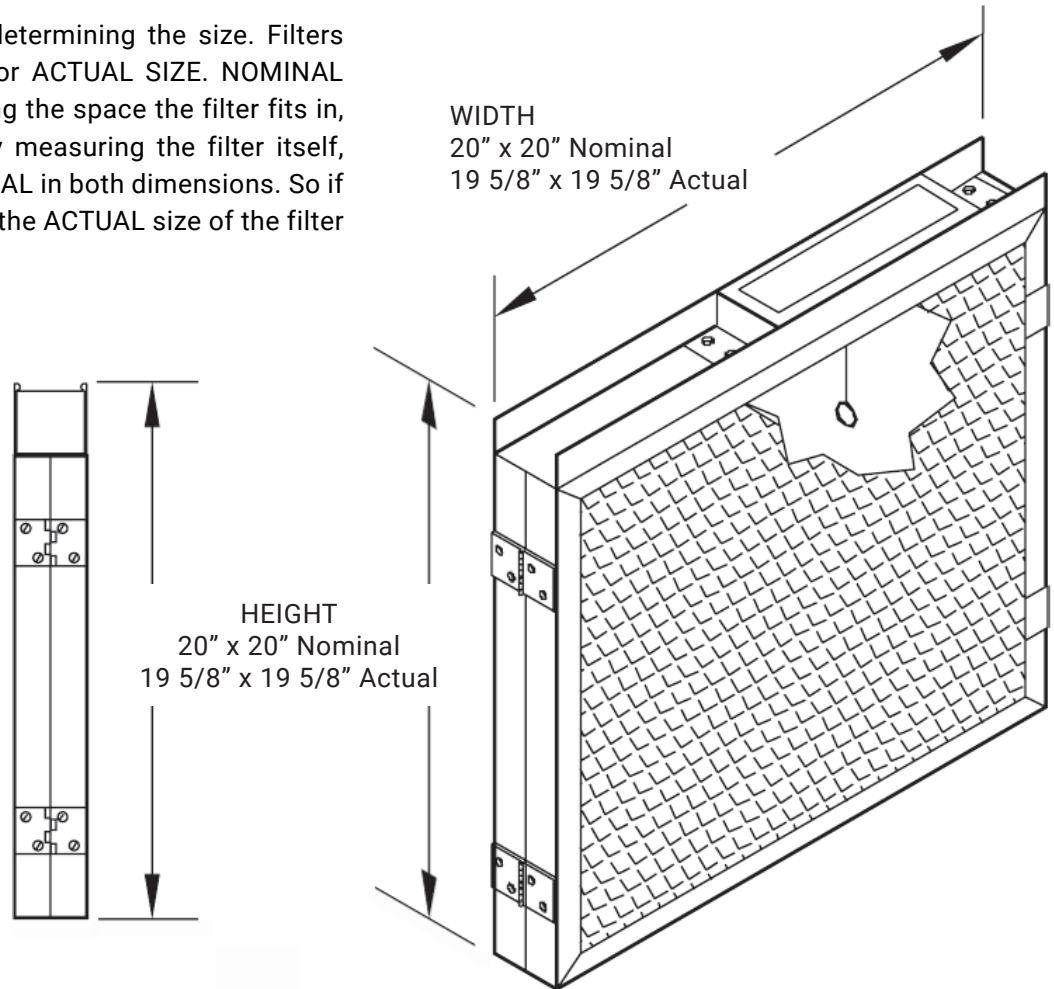
- Atmospheric dust
- Pet allergens
- Smog
- Soot
- Tobacco smoke
- Viruses



Purity Low Profile captures particulates of all sizes (down to an incredibly small 0.3 microns). It uses an polarized charge to attract and clump particles together making them easier to capture on the filter without restricting air-flow.

NOMINAL vs. ACTUAL

To order PLP filters start by determining the size. Filters can be ordered by NOMINAL or ACTUAL SIZE. NOMINAL size is determined by measuring the space the filter fits in, ACTUAL size is determined by measuring the filter itself, generally 3/8" less than NOMINAL in both dimensions. So if the NOMINAL size is 20" x 20", the ACTUAL size of the filter itself is 19 5/8" x 19 5/8".



SPECIFICATIONS

Purity Low Profile	
Performance	97% @ 0.3 micron (multiple pass scenario)
Pressure Drop	0.12" @ 300 FPM
Dimensions	<3/8" of filter size x 1" deep
Electrical	24VAC, 0.07amps, 1.5VA, 50/60 Hz
Warranty	Lifetime all parts except media

MODELS

Part#	Size
TUV-PLP-16X20NB	16" X 20"
TUV-PLP-16X25NB	16" X 25"
TUV-PLP-18X20NB	18" X 20"
TUV-PLP-18X25NB	18" X 25"
TUV-PLP-20X20NB	20" X 20"
TUV-PLP-20X25NB	20" X 25"

REPLACEMENT MEDIA

Part#	Size
TUV-PLPM-1-16X20NB	16" X 20"
TUV-PLPM-1-16X25NB	16" X 25"
TUV-PLPM-1-18X20NB	18" X 20"
TUV-PLPM-1-18X25NB	18" X 25"
TUV-PLPM-1-20X20NB	20" X 20"
TUV-PLPM-1-20X25NB	20" X 25"



DESIGNED & ASSEMBLED IN THE U.S.A.